

Disc handwheels with revolving grip, Form D, pre-drilled

Item description/product images



Description

Material:

Thermoset PF 31, black.

Hub nickel-plated steel.

Revolving grip, nickel-plated steel parts.

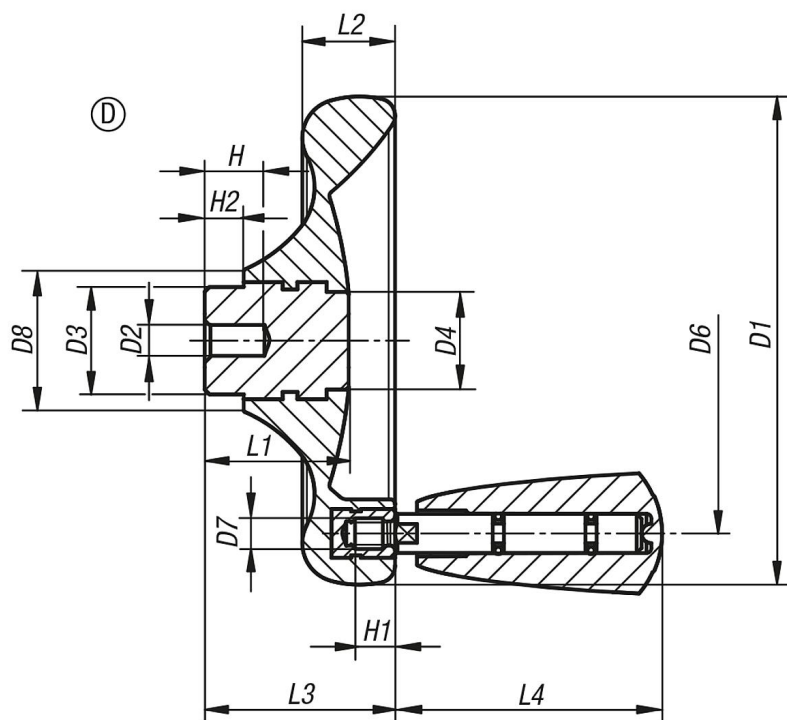
Version:

High-gloss polished.

Note:

The handwheel is supplied with the grip loose.

Drawings



Overview of items

Order No.	Version 1	Form	D1	D2	D3	D4	D6	D7	D8	H	H1	H2	L1	L2	L3	L4
K0164.0100X06	pre-drilled	D	100	6	22	20	79	M6	29	12	9	8	29,5	19	39	54,7
K0164.0125X08	pre-drilled	D	125	8	26	21	101	M6	34	15	9	8	34	24	46	54,7
K0164.0140X08	pre-drilled	D	140	8	30	25	110	M8	39	16	12	8	38,5	27	52	82,2
K0164.0160X10	pre-drilled	D	160	10	33	30	128	M8	43	20	12	8	41,3	30,1	57	82,2